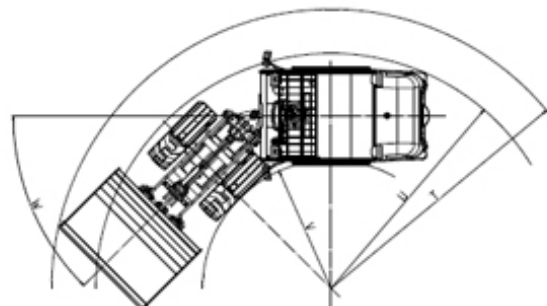
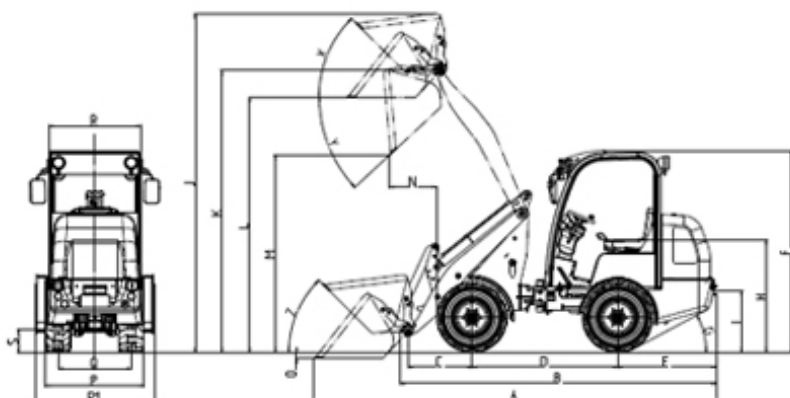


PALA GOMMATA ATTACK HW1230

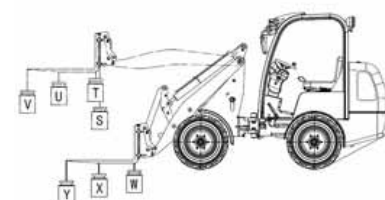
	Model	HW1230 K36	HW1230 K45
Engine data	Manufacturer	KUBOTA	KUBOTA
	Engine model	V1505-E2B	V1505T-E2B
	Cylinder	4	4
	Max. power (kw)	26.5	33
	Cooling	water-cooled	water-cooled
	Electrical system		
	Operating voltage (V)	12V	12V
	Battery (Ah)	60Ah	60Ah
	Generator (A)	40A	40A
	Weight		
	Operating weight(standard) (kg)	2280	2450
	Max.lifting force (daN)	1750	1750
	Tipping loads in bucket (according to ISO 8313) (kg)		
	Lift frame horizontal /machine straight	1200	1400
	Lift frame horizontal /machine articulated	800	950
	Tipping loads in pallet fork (according to ISO 8313) (kg)		
	Lift frame horizontal /machine straight	800	950
	Lift frame horizontal /machine articulated	550	700
Vehicle	Driving speed (km/h)	0-18	0-18
	Capacity of fuel tank (l)	55	55
	Hydraulic oil (l)	36	36
Hydraulic system	Hydraulic driving		
	Output (l/min)	102	102
	Working pressure (bar)	380	380
	Hydraulic operation		
	Output (l/min)	45	45
Working pressure (bar)	180	180	



PALA GOMMATA ATTACK HW1230



	Model	HW1230 K36 / K45
	Dimensions(mm)	standard
A	Total length with standard bucket	4620
B	Total length without bucket	3472
C	Axle center up to bucket hinge pin	704
D	Wheelbase	1600
E	Rear overhang	1083
F	Height to top of FOPS bar	2225
G	Departure angle	28
H	Seat height	1249
I	Coupler height	684
J	Total working height	3728
K	Max. height of bucket pivot	3100
L	Overhead loading height	2810
M	Max. dumping height	2177
N	Operating distance for M	517
O	Digging depth	65
P	Total width	1120
P1	Total width with bucket	1310
Q	Track width	802
R	Bar width	1010
S	Ground clearance	255
T	Max. turning radius	3085
U	Radius at the outer edge	2597
V	Inside turning radius	1450
W	Turning angle	45°
X	Rollback angle at max. lifting height	45°
Y	Max. dumping angle	43°
Z	Backroll angle on the ground	45°
	Width	
	10-16.5NHS	1080
	31X15.5-15AS	1320
	Values printed in bold indicate the standard tyre equipment.	



	Tipping loads(machine straight) (kg)	
	HW1230 K36	HW1230 K45
G1	1300	1560
G2	800	950
G3	600	750
G4	1350	1600
G5	801	1090
G6	1022	1410
G7	1374	1750