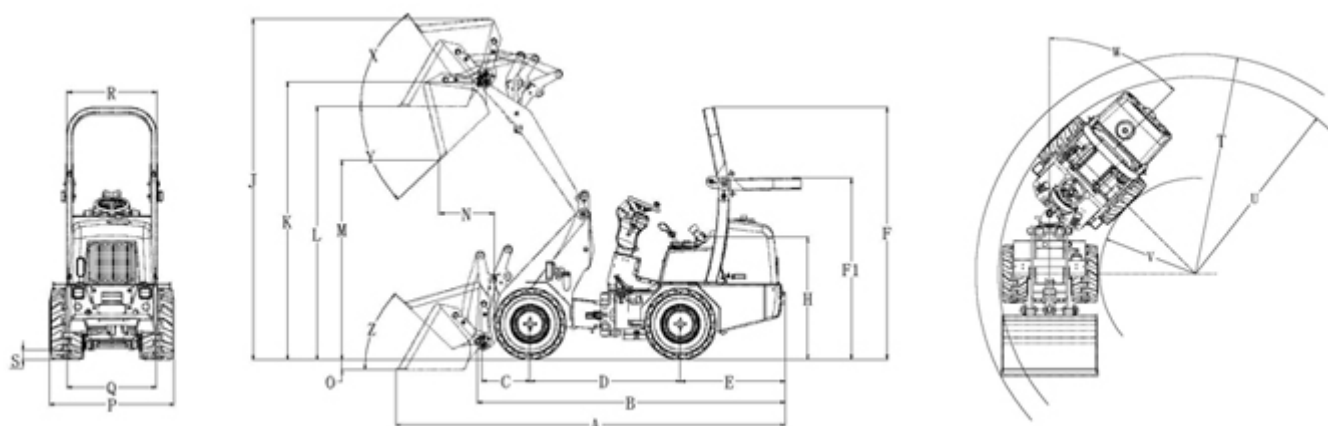


PALA GOMMATA ATTACK HW1130

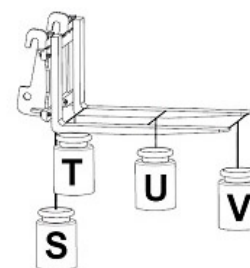
	Model	HW1130 K26	HW1130 K33
Engine data	Manufacturer	KUBOTA	KUBOTA
	Engine type	D1105-E2B	D1105-T-E2B
	Cylinder	3	3
	Max. power (kW)	19.4	24.5
	At rpm (N.m / rpm)	71.4 / 1600	88.1 / 2000
	Capacity (cm ³)	1123	1123
	Cooling	Water	Water
	Electrical system		
	Operating voltage (V)	12	12
	Battery (Ah)	43	43
	Weights		
	Operating weight (standard) (kg)	1700	1700
	Max.lifting force (daN)	1100	1100
	Tipping loads in bucket (according to ISO 8313) (kg)		
	Lift frame horizontal /machine straight	850	850
	Lift frame horizontal /machine articulated	550	550
	Vehicle	Driving speed (km/h)	0-12
Capacity of fuel tank (l)		26	26
Hydraulic oil (l)		40	40
Hydraulic system	Hydraulic driving		
	Output (l/min)	84	84
	Working pressure (bar)	300	300
	Hydraulic operation		
	Output (l/min)	32	32
	Working pressure (bar)	180	180



PALA GOMMATA ATTACK HW1130



Model	HW1130 K26 HW1130 K33	HW1130 HK26 HW1130 HK33
Dimensions (mm)	Standard	Heighten
A	3660	3763
B	2890	2940
C	425	534
D	1375	1371
E	950	959
F	2175	2251
H	1118	1124
J	3160	3436
K	2556	2901
L	2370	2596
M	1860	2193
N	525	795
O	60	183
P	1103	1100
Q	763	790
R	820	820
S	90	192
T	2440	2593
U	2125	2221
V	1110	1105
W	45°	45°
X	55°	47°
Y	43°	29°
Z	44°	47°
Width (mm)		
7.00-12 AS	860	860
26X12-12 AS	1110	1110
Values printed in bold indicate the standard tyre equipment.		



Tipping loads (machine straight)	
S	980 kg
T	820 kg
U	577 kg
V	446 kg